

XKP

Pool Pump



Application

- It is used for water circulation in all kinds of small domestic swimming pools. Slightly dirty water with solids in suspension can be perfectly filtered.

Pump

- Engineering plastic pump body
- AISI 304 shaft
- Max. liquid temperature: +35°C
- Max. suction: 3.5 m

Motor

- Motor with copper or aluminum winding
- Built-in thermal protector for single phase motor
- Insulation class: F
- Protection class: IPX5

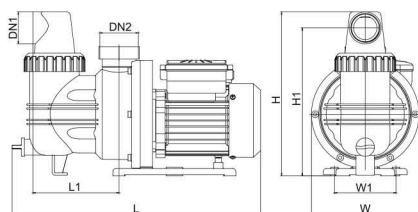
Identification Codes

XKP 450 - 2



Technical Data

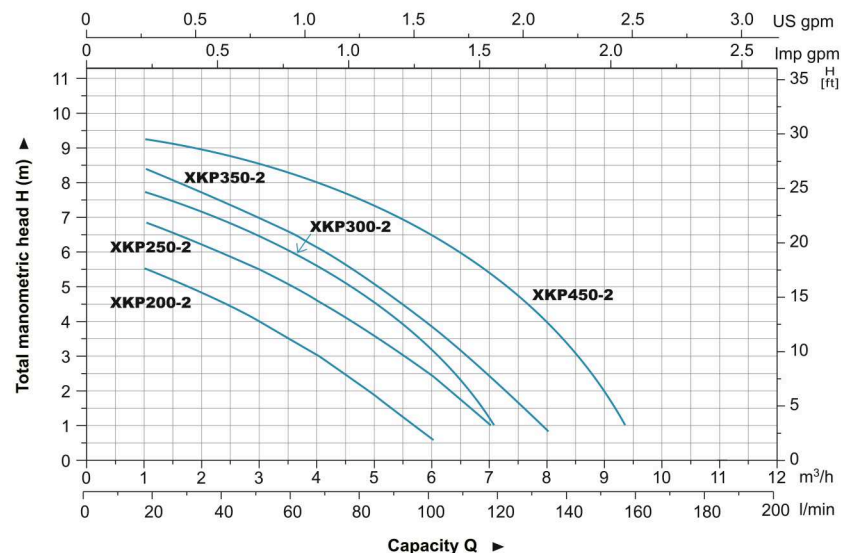
MODEL	POWER (P ₁) W	Q (m ³ /h) Q (l/min)	H (m)											
			1	2	3	4	5	6	7	8	9	10		
XKP200-2	200	17	5.5	4.8	4.0	3.0	1.8	0.6	-	-	-	-	-	-
XKP250-2	250	6.9	6.3	5.5	4.6	3.6	2.4	1.0	-	-	-	-	-	-
XKP300-2	300	7.7	7.2	6.4	5.5	4.5	3.0	1.0	-	-	-	-	-	-
XKP350-2	350	8.4	7.7	7.0	6.2	5.0	3.8	2.3	0.8	-	-	-	-	-
XKP450-2	450	9.6	9.1	8.5	8.0	7.3	6.4	5.2	4.0	2.4	-	-	-	-



Dimension

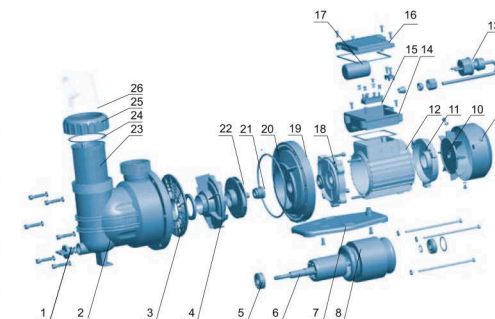
Model	DN1	DN2	L (mm)	W (mm)	H (mm)	L1 (mm)	W1 (mm)	H1 (mm)
XKP200-2	40	40	404	175	267	140	100	241
XKP250-2	40	40	404	175	267	140	100	241
XKP300-2	40	40	404	175	267	140	100	241
XKP350-2	40	40	404	175	267	140	100	241
XKP450-2	40	40	404	175	267	140	100	241

Hydraulic Performance Curves



Materials Table

No.	Part	Material	No.	Part	Material
1	Filling plug	PP	14	Terminal box	ABS
2	Pump body	PP	15	Terminal board	PC
3	Water proof cover	PPO	16	Terminal box cover	ABS
4	Diffuser	PPO	17	Capacitor	
5	Ball bearing		18	Front plate	ZL102
6	Rotor		19	Support	PP
7	Base	PA	20	O-ring	NBR
8	Stator	21	Mechanical seal	Carbon/Ceramic	
9	Fan cover	08F	22	Impeller	PPO
10	Fan	PP	23	Sieve	PP
11	Rear cover	ZL102	24	O-ring	NBR
12	Motor housing	ZL102	25	Nut	ABS
13	Cable		26	Connector	PC



Package Information

Model	GW (Kgs)	L (mm)	W (mm)	H (mm)	Quantity (PCS/20 TEU)
XKP200-2	5.6	450	203	238	1341
XKP250-2	5.8	450	203	238	1341
XKP300-2	6.1	450	203	238	1341
XKP350-2	6.3	450	203	238	1341
XKP450-2	6.5	450	203	238	1341

