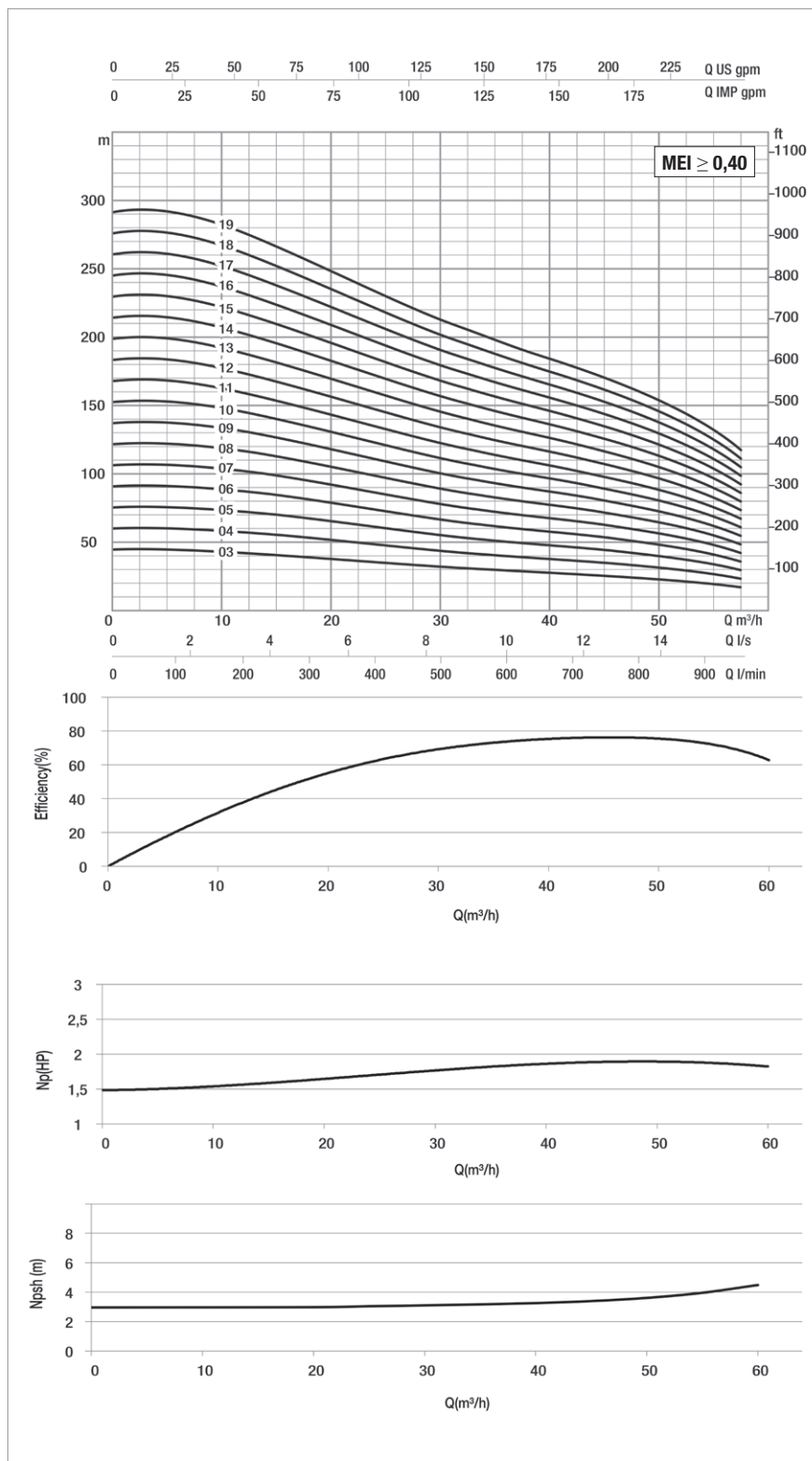
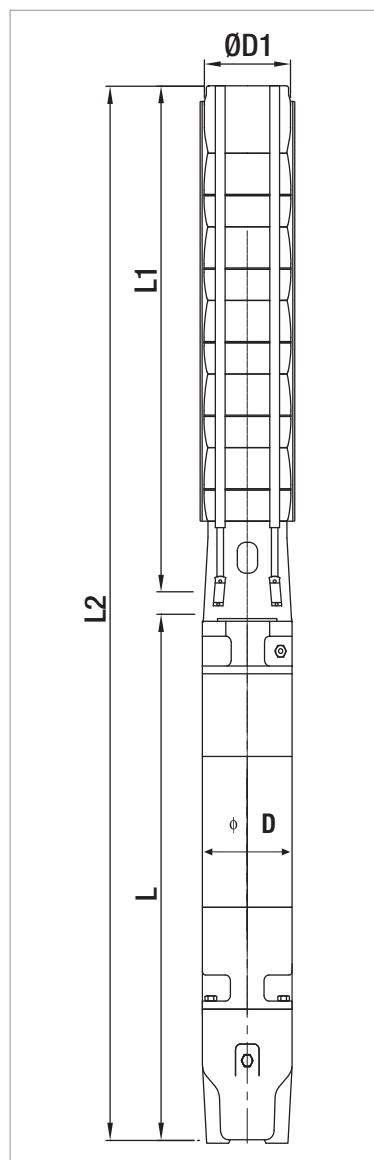


SS6D

SUBMERSIBLE ELECTRIC PUMPS 6"

The performance curves are based on the kinematic viscosity values = 1 mm²/s and density equal to 1000 Kg/m³. Curve tolerance according to ISO 9906.



For hydraulic efficiency see pag. 233