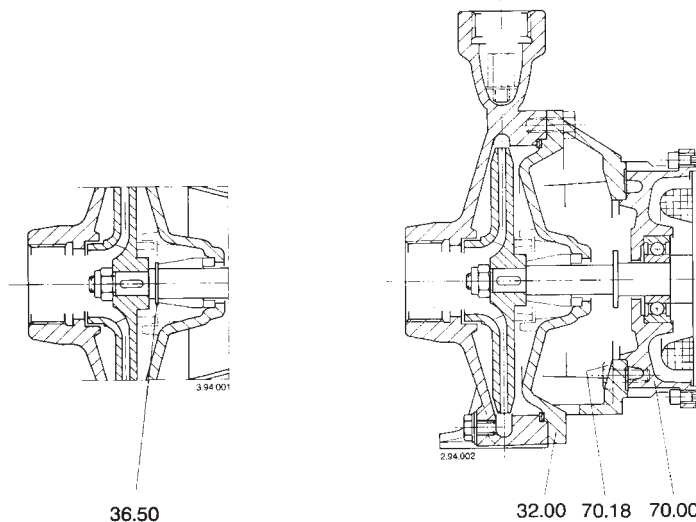
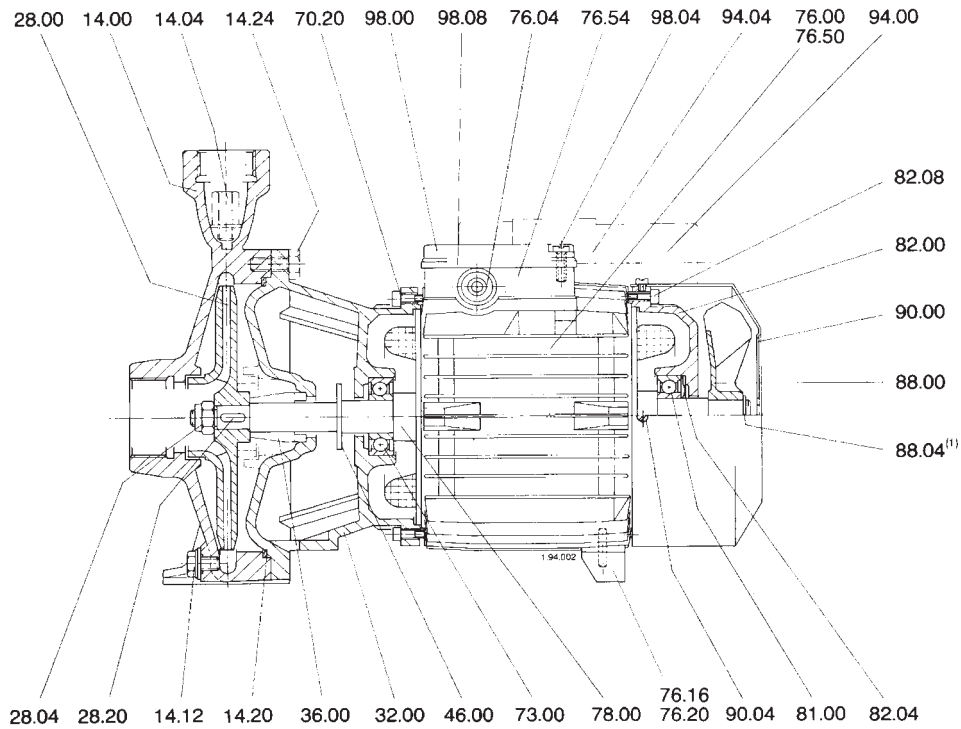


NM 3..	NM 20/160..	NM4 25/160..	B-NM 17..	I-B-NM4 25/160..
NM 10..	NM 25/160..	NM4 25/200..	B-NM 20/160..	I-B-NM4 25/200..
NM 11..	NM 25/20..		B-NM 25/125..	
NM 12..			B-NM 25/160..	
NM 17..			I-B-NM 25/200..	



36.50
 NM 10..
 NM 11..
 NM 12/DE
 NM 17/FE-GE-HE
 NM 25/20BE

32.00 70.18 70.00
 B-NM 20/160..
 B-NM 25/160..
 I-B-NM 25/200..
 I-B-NM4 25/200..

(1) Solo nei tipi
 Only for types
 Nur für Baugrößen
 Seulement pour les types
 Solo en los tipos
 Endast type
 NM 12/AE-CE
 NM 17/DE
 NM 25/20SE-AE
 I-B-NM 25/200SE-AE