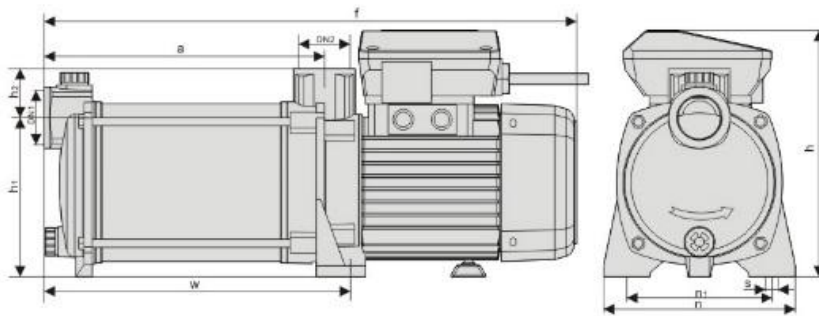


MH 90 serie

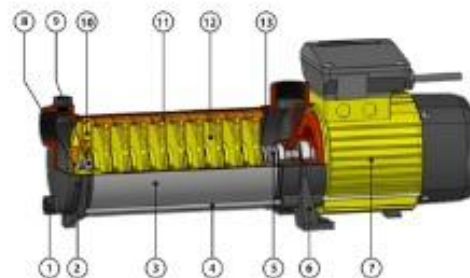


DIMENSION

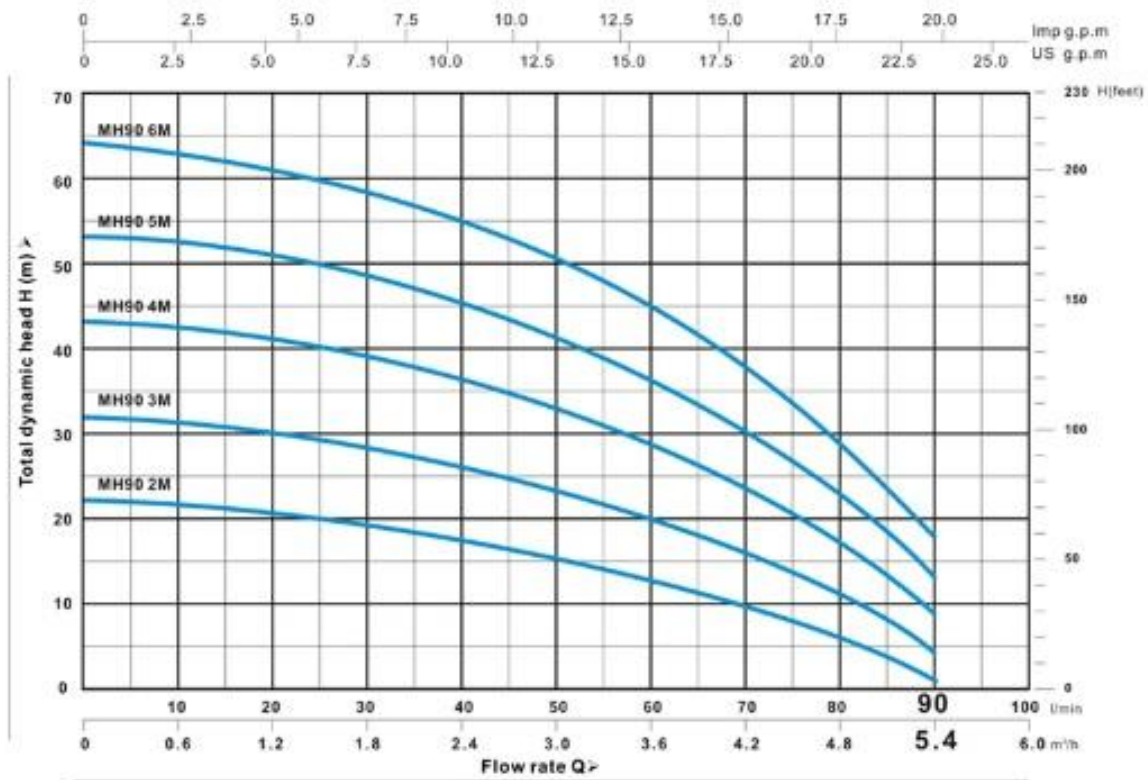
PUMP MODEL	Dn ₁	Dn ₂	DIMENSION [mm]								
			a	f	h	h ₁	h ₂	n	n ₁	w	s
MH90 2M	1"	1"	146	337	180	121	31.5	150	120	164	10
MH90 3M	1"	1"	170	384	196	126	36.5	150	120	190	10
MH90 4M	1"	1"	194.5	409	196	126	36.5	150	120	214.5	10
MH90 5M	1"	1"	219	433	196	126	36.5	150	120	239	10
MH90 6M	1"	1"	246.5	480	237.5	142	41.5	165	130	277	10



Item	Description	Material
1	Prime and drain plugs	POM GNF-20
2	Suction mounting	Casting Iron
3	Pump housing	304 stainless steel
4	Tie bolt	Nickel plated steel
5	Mechanical seal	Graphite-Ceramic-NBF
6	Discharge mounting	Casting Iron
7	Motor	Class F IPX5
8	Shaft sleeve	Plastic bearing
9	Nut	304 stainless steel
10	Prime cover	PPO GNF-20
11	Diffuser	PPO GNF-20
12	Impeller	PPO GNF-20
13	Casing O-ring	EPDM



PERFORMANCE CHART AT $n=2850 \text{ min}^{-1}$



PERFORMANCE DATA AT $n=2850 \text{ min}^{-1}$

PUMP MODEL	INPUT		OUTPUT		Q		H									
	KW	KW	HP	m³/h	l/min	0	0.6	1.2	1.8	2.4	3.0	3.6	4.2	4.8	5.4	
MH90 2M	0.6	0.45	0.6	H (m)	0	22	21	20	19	17	15	13	10	6	2	
MH90 3M	0.9	0.65	0.9		10	32	31	30	28	26	23	20	16	11	4	
MH90 4M	1.1	0.75	1.0		20	43	42	41	39	36	33	29	24	17	9	
MH90 5M	1.35	1.0	1.3		30	53	52	51	49	45	41	36	30	23	13	
MH90 6M	1.65	1.3	1.65		40	64	62	61	58	55	50	45	37	28	17	

Q=FLOW RATE H=TOTAL DYNAMIC HEAD IN METERS

Curve tolerance according to ISO 2548