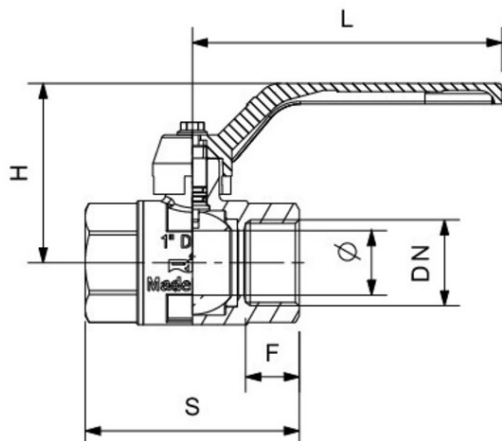




RIV 4220

Ball valve F/F heavy
 type
 full bore
 aluminium lever handle

» Tech drawings and tables



DN	Codice	Ø	H	S	L	F	PN	KG	P/box
1/2"	024220000004	15	55	59	90	17	64	0,289	10
3/4"	024220000005	20	66	69	120	18	64	0,471	10
1"	024220000007	25	70	83	120	22	64	0,689	8
1"1/4	024220000008	32	83	94	135	24	50	1,139	6
1"1/2	024220000009	40	93	102	160	24	50	1,486	4
2"	024220000011	50	102	124	160	28	50	2,346	4

»» Approvals



»» RIV Rubinetterie Italiane Velatta S.p.A
Via delle Acacie 8 Zona Industriale D4
P. O.Box 64
28075 GRIGNASCO (NO) ITALY
Tel +39 0163 4151
Fax +39 0163 411914

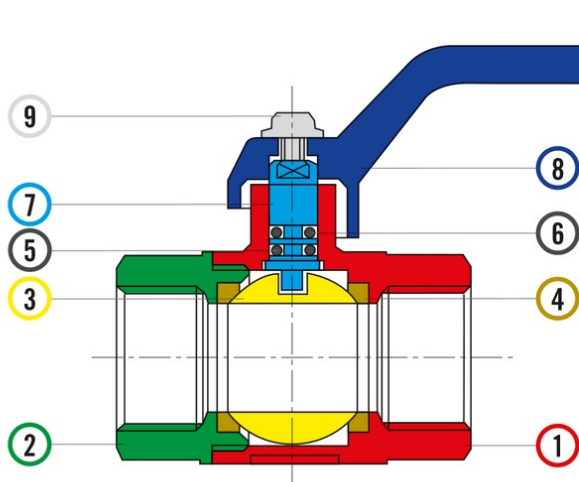
»» Capitale sociale € 516.000 i.v.
Reg. Imprese di Novara N° 00469610026
R.E.A. di Novara N° 170397
Numero Meccanografico NO009263
Codice Fiscale 00469610026
Partita IVA IT 01399720034

»» E - mail riv-vg@riv-vg.com
vendite.italia@riv-vg.com
export.sales@riv-vg.com
Web www.riv-vg.com



>> Technical data

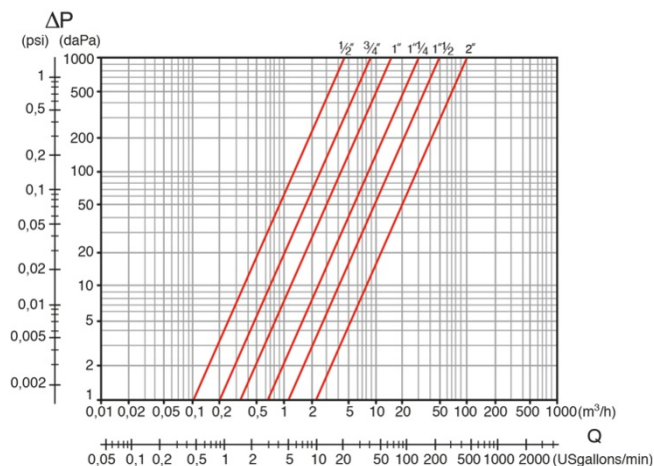
RIV 4220



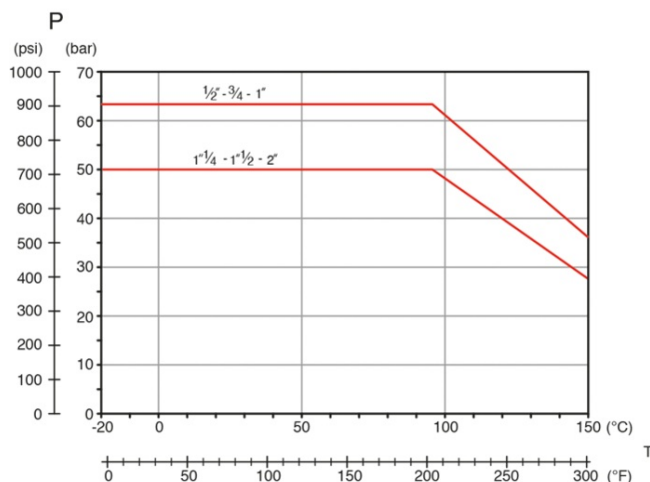
Materials				
1	Body	Brass	CW617N	Nickel-plated
2	Body end	Brass	CW617N	Nickel-plated
3	Ball	Brass	CW617N	Chrome-plated
4	Seats	P.T.F.E.		
5	O-Ring	FKM		
6	O-Ring	NBR		
7	Stem	Brass	CW614N	
8	Lever	Aluminium		Green
9	Screw	Steel		Zinc-plated

Connection	F: EN 10226 Rp (parallel) M: EN 10226 R (taper)
Limit	-20°C (without liquid) +150°C
Notes	The max.working pressure (PN) means at a room temperature of about 23°C.

» Pressure Loss Chart



» Temperature/Pressure



» Kv & Cv Coefficients

Dimensione	Kv	Cv
1/2"	15,5	17,9
3/4"	31,0	36,0
1"	52,0	60,0
1"1/4	100,0	116,0
1"1/2	180,0	208,0
2"	350,0	405,0

