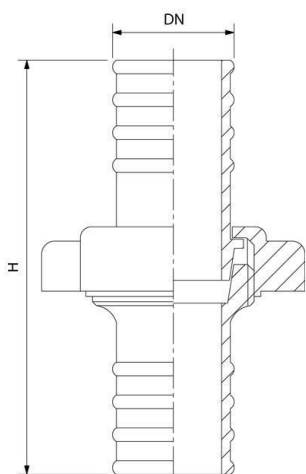




RIV 3170

Three-piece fitting
 double hose-connection
 metal seat

Tech drawings and tables



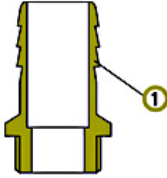
DN	Code	H	PN	KG	P/box
15	033170000035	65	10	0,062	25
18	033170000038	72	10	0,093	15
20	033170000040	72	10	0,094	15
25	033170000042	88	10	0,144	20
30	033170000044	105	10	0,256	10

Technical data

Art. 3100

Materials

1 Body Brass CW617N



Connections

ISO 228/1

Limit

-10°C (without liquid) +100°C

Notes

The max. working pressure (PN) means at a room temperature of about 23°C.