

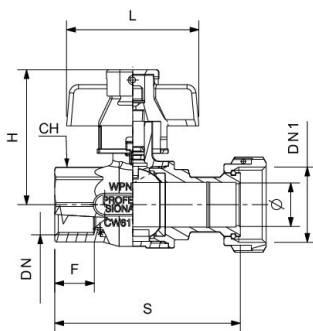


## RIV 5130

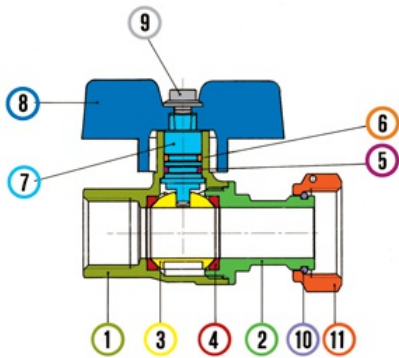
Water meter inlet ball valve F/F  
 with fitting for meter  
 full bore  
 T-Lock brass tamperproof butterfly handle

### Tech drawings and tables

DN	Code	Ø	H	S	L	F	PN	KG	P/box
1/2" x 3/4"	025130000187	15	51,5	68,5	53	17	40	0,300	10
3/4"X1"	025130000230	20	58,5	81,5	58	17	40	0,474	10



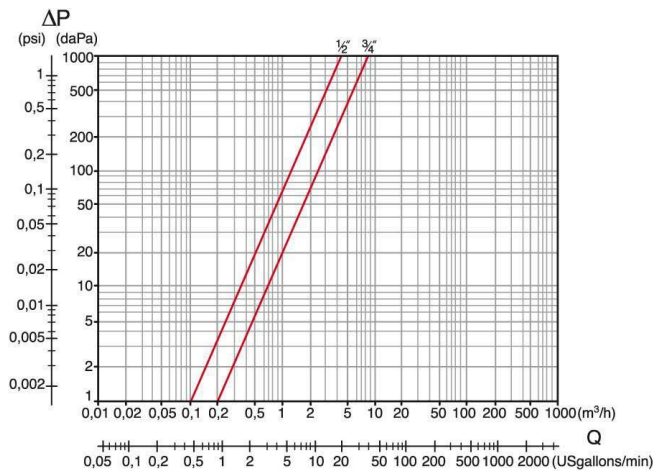
## Technical data



Materials			
1	Body	Brass	Nickel-plated
2	Body end	Brass	Nickel-plated
3	Ball	Brass	Chrome-plated
4	Seats	PTFE	
5	O-Ring	FKM	
6	O-Ring	NBR	
7	Stem	Brass	
8	Butterfly handle	Aluminium	Green
9	Screw	Steel	Zinc-plated
10	Seeger	Stainless Steel	Nickel-plated
11	Swivel nut	Brass	

<b>Connections</b>	Female ISO 7/1Rp (parallel), Male ISO 7/1R (tapered), screwed ring ISO 228/1
<b>Limit</b>	-20°C (without liquid) +110°C
<b>Notes</b>	The max.working pressure (PN) means at a room temperature of about 23°C.

## Pressure Loss Chart



## Temperature/Pressure

