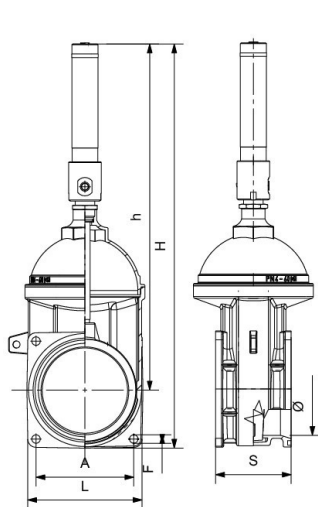




RIV 24

Great capacity two-flange piston gate valve
with double-acting hydraulic jack
with O-ring gaskets

Tech drawings and tables



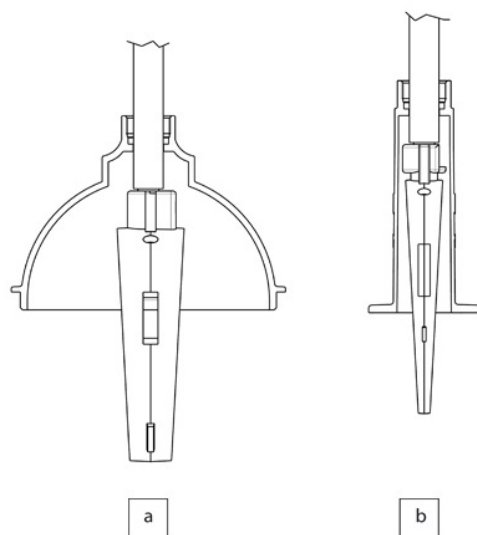
| DN | Code | Ø | H | h | S | L | F | A | PN | KG | P/box |
|----|--------------|-----|-----|-----|-----|-----|----|-----|--------------|--------|-------|
| 6" | 050024000019 | 143 | 619 | 530 | 116 | 180 | 13 | 150 | 4bar - 60psi | 13,509 | 1 |

Advantages

Thanks to the particular round shape of the cap, which offers a great containing volume (pict. A), the clogging of the gate valve is avoided, unlike other types with different design and less capacity (pict. B).

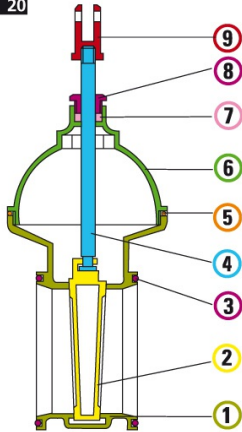
Larger wedge to have a better tightness.

In accordance with 97/23/CE (PED) Directive.



Technical data

RIV 20



| Materials | | | |
|-----------|--------------|-------|--------|
| 1 | Body | Brass | CB754S |
| 2 | Wedge | Brass | CB754S |
| 3 | O-Ring | NBR | |
| 4 | Stem | Brass | CW614N |
| 5 | O-Ring | NBR | |
| 6 | Cap | Brass | CB754S |
| 7 | Tow Packing | Fibre | |
| 8 | Stuffing-Box | Brass | CW614N |
| 9 | Fork | Brass | CW617N |

| | |
|-------------|---|
| Connections | Square flange |
| Limit | -20°C (without liquid) +90°C |
| Notes | The max. working pressure (PN) means at a room temperature of about 23°C. |