

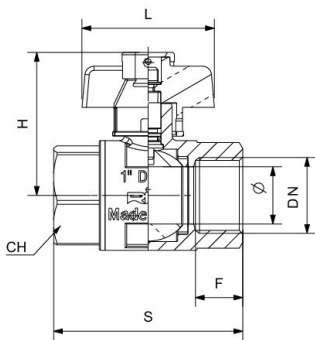


## RIV 5061

Ball valve F/F heavy type (Magnum series)  
 full bore  
 Extra-Lock brass tamperproof butterfly handle

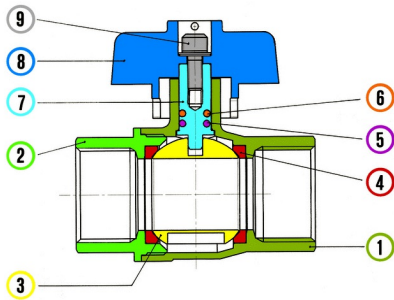
### Tech drawings and tables

DN	Code	Ø	F	H	L	S	PN	KG	P/box
1/2"	025061000004	15	17	51	53	59	64	0,270	10
3/4"	025061000005	20	18	58	58	69	64	0,409	10
1"	025061000007	22	22	63	58	83	64	0,633	8



## Technical data

Art. 5051



### Materials

1	Body	Brass	CW617N	Nickel-plated
2	Body end	Brass	CW617N	Nickel-plated
3	Ball	Brass	CW617N	Chrome-plated
4	Seats	P.T.F.E.		
5	O-Ring	FKM		
6	O-Ring	NBR		
7	Stem	Brass	CW614N	
8	Butterfly handle	Brass		
9	Screw	Brass		

### Connections

### Limit

### Notes

The max.working pressure (PN) means at a room temperature of about 23°C.