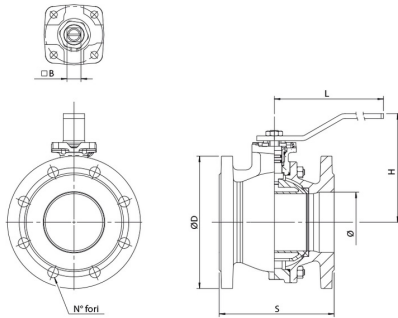




## RIV 5550

Cast iron flanged ball valve  
full bore  
ISO 5211 mounting pad for actuator  
flanges PN 16  
steel lever handle

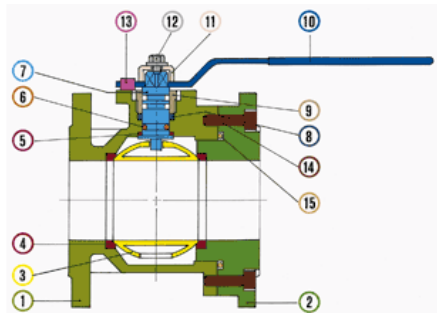
### Tech drawings and tables



DN	Code	Ø	S	H	L	D	ISO 5211	<input checked="" type="checkbox"/>	PN	KG	KG	P/cart
20	025550016040	20	120	84	160	105	F04	9	16	3,300	3,300	1
25	025550016042	25	125	96	170	115	F04	11	16	4,200	4,200	1
32	025550016045	32	130	101	170	140	F04	11	16	5,800	5,800	1
40	025550016050	40	140	125	230	150	F05	14	16	7,500	7,500	1
50	025550016053	50	150	135	230	165	F05	14	16	9,000	9,000	1
65	025550016057	63	170	143	230	185	F05	14	16	10,500	10,500	1
80	025550016061	76	180	165	280	200	F07	17	16	15,500	15,500	1
100	025550016064	95	190	180	360	220	F07	17	16	18,500	18,500	1
125	025550016066	120	200	225	450	250	F10	22	16	28,000	28,000	1
150	025550016068	145	210	243	560	285	F10	22	16	38,500	38,500	1
200	025550016072	190	400	320	1000	340	F12	27	16	93,000	93,000	1

## Technical data

Art. 5550



### Materials

Part No.	Part Name	Material	Standard	Finish
1	Body	Cast Iron	EN-GJS-400	Painted
2	Flange	Cast Iron	EN-GJS-400	Painted
3	Ball	Brass	CW617N	Chrome-plated
4	Seats	P.T.F.E.		
5	Washer	P.T.F.E.		
6	O-Ring	HNBR		
7	Stem	Steel	CW614N	
8	Tow packing	P.T.F.E.		
9	Stuffing-Box	Brass	CW614N	
10	Lever	Steel		Zinc-plated
11	Cap	Brass		Nickel-plated
12	Screw	Steel		Zinc-plated
13	Screw	Steel		Zinc-plated
14	Screw	Steel		Zinc-plated

### Connections

Square UNI EN 1092-2

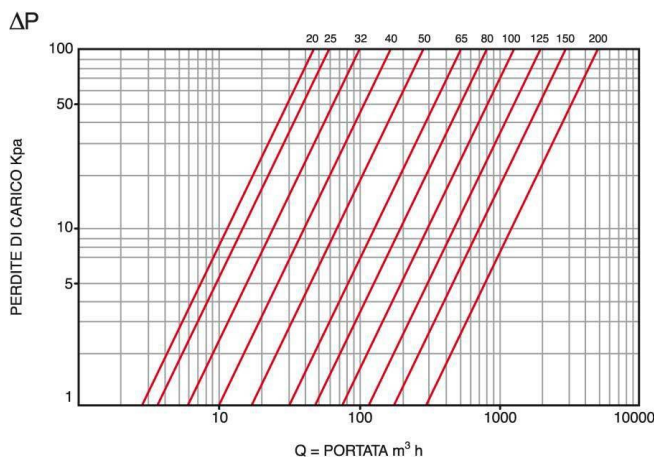
### Limit

-10°+150° (without liquid)

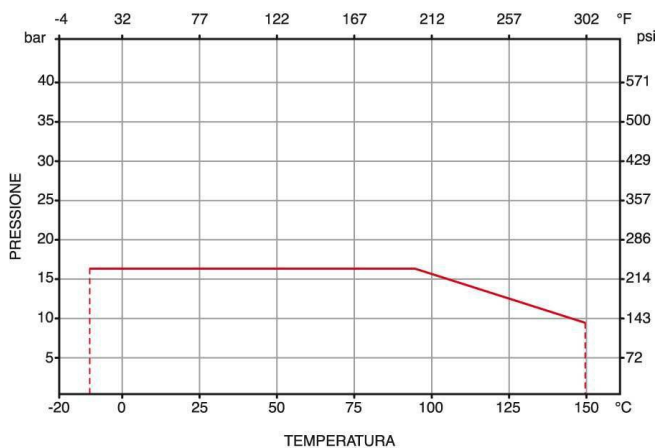
### Notes

The max.working pressure (PN) means at a room temperature of about 23°C.

## Pressure Loss Chart



## Temperature/Pressure



## Kv & Cv Coefficients

Size	Kv	Cv
DN 20	45,0	-
DN 25	60,0	-
DN 32	100,0	-
DN 40	170,0	-
DN 50	265,0	-
DN 65	510,0	-
DN 80	790,0	-
DN 100	1230,0	-
DN 125	1900,0	-
DN 150	2900,0	-
DN 200	5700,0	-