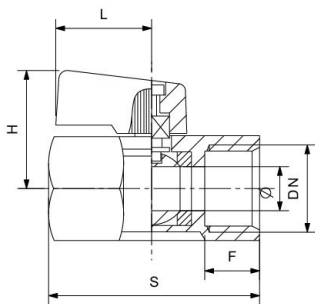




## RIV 4000

Ball valve F/F  
 reduced bore  
 aluminium lever handle

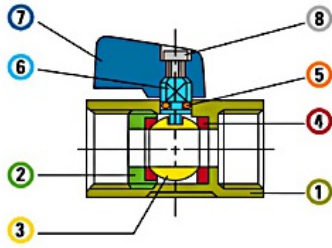
### Tech drawings and tables



DN	Code	Ø	H	S	L	F	PN	KG	P/box
1/4"	024000000002	8	26	41	30	10	10	0,093	30
3/8"	024000000003	8	26	42	30	10	10	0,081	30
1/2"	024000000004	10	28	47	30	11	10	0,109	25
3/4"	024000000005	12	30	54	30	13	10	0,179	15

## Technical data

Art. 4000



### Materials

1	Body	Brass	CW617N	Nickel-plated
2	Screwed ring	Brass	CW617N	Nickel-plated
3	Ball	Brass	CW617N	Chrome-plated
4	Seats	P.T.F.E.		
5	O-Ring	NBR		
6	Stem	Brass	CW614N	
7	Lever	Aluminium		Black
8	Screw	Steel		Zinc-plated

### Connections

ISO 228/1

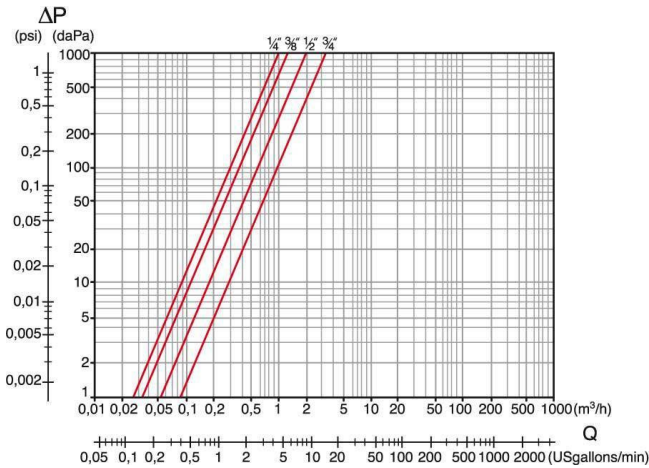
### Limit

-10°C (without liquid) +90°C

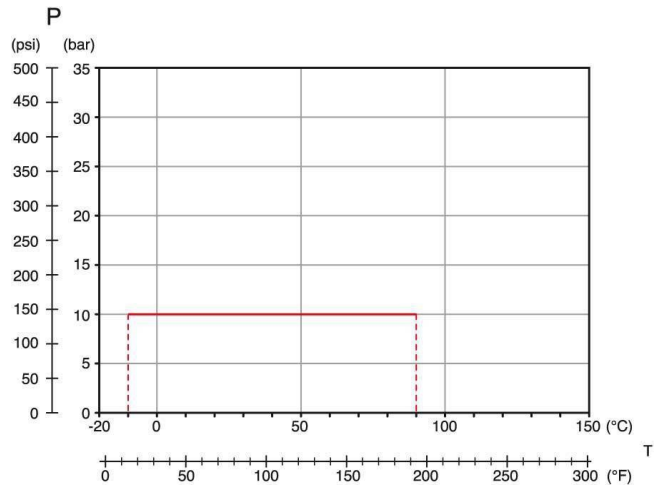
### Notes

The max.working pressure (PN) means at a room temperature of about 23°C.

## Pressure Loss Chart



## Temperature/Pressure



## Kv & Cv Coefficients

Size	Kv	Cv
1/4"	3,3	3,8
3/8"	4,3	5,0
1/2"	7,0	8,1
3/4"	11,0	12,7

## Approvals

