

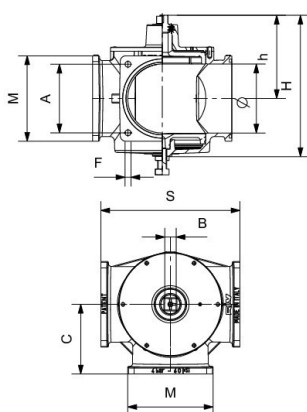


## RIV 201

Flanged Multi-function three-way diverter valve



### Tech drawings and tables



DN	Code	Ø	H	h	S	F	A	B	C	M	PN	KG	P/box
6"	050201000019	151	307	180	305	13	150	25	152,5	187	4bar - 58psi	31,209	1
8"	050201000020	196	420	246	360	13	180	34	180	231	4bar - 58psi	70,000	1

### Advantages

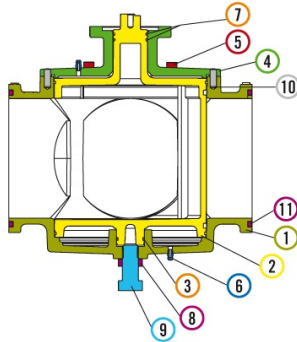
Innovative anti-blocking cylindrical plug, "Trunion Mounted System".

Thanks to a sophisticated high-resistance rubber seat, NERONE can guarantee a perfect tightness even with vacuum, a feature that is almost impossible to find in the traditional plug cocks, in which the tightness is obtained through the contact between two metal surfaces. Its particular inner "non-clogging" design makes it suitable to be used as diverter or dosing valve.

Nerone is another RIV patent.

## Technical data

RIV 200



Materials			
1	Body	Cast iron	EN-JGL-250
2	Plug	Brass	CB754S
		Cast iron	EN-GJL-250
3	O-Ring	NBR	
4	Cover	Cast iron	EN-JGL-250
5	Screw	Stainless steel	AISI 304
6	O-Ring	NBR	
7	Grease box	Steel	
8	Nut	Stainless steel	AISI 304
9	Screw	Stainless steel	AISI 304
10	Cylindrical pin	Steel	
11	O-Ring	NBR	
12	O-Ring	NBR	

Connections	Square flange
Limit	-20°C (without liquid) +90°C
Notes	The max. working pressure (PN) means at a room temperature of about 23°C.