

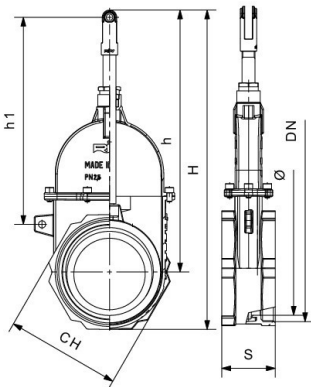


RIV 60

Threaded piston gate valve

Tech drawings and tables

DN	Code	Ø	H	h	S	h1	PN	KG	P/box
4"	050060000016	91	360	287	68	235	3bar - 45psi	3,781	1
5"	050060000018	120	440	352	78	295	3bar - 45psi	5,944	1
6"	050060000019	144	492	390	82	320	2,5bar - 37psi	7,324	1

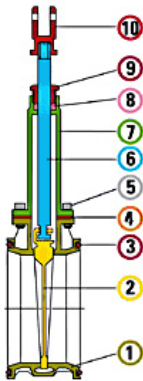


Advantages

- Better tightness compared to other gate valves of the same type.
- Anticorrosion stainless steel screws.
- In accordance with 97/23/CE (PED) Directive.

Technical data

Art. 10



Materials

1	Body	Brass	CB754S
2	Wedge	Brass	CB754S
3	O-Ring	NBR	
4	Gasket	Fibre	
5	Screw	Stainless Steel	AISI 304
6	Stem	Brass	CW614N
7	Cap	Brass	CB754S
8	Tow packing	Fibre	
9	Stuffing-Box	Brass	CW614N
10	Fork	Brass	CW617N

Connections

ISO 228/1, NPT, Square flange

Limit

-20°C (without liquid) +90°C

Notes

The max. working pressure (PN) means at a room temperature of about 23°C.