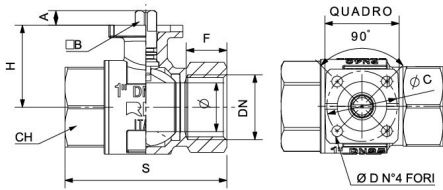




RIV 4500

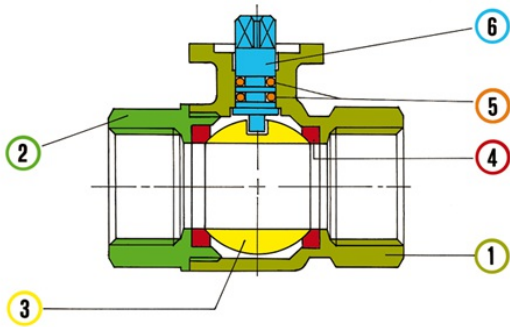
Ball valve F/F heavy type
full bore
ISO 5211 mounting pad for actuator

Tech drawings and tables



DN	Code	Ø	H	S	F	A	C	ISO 5211	ØD	□	□	BPN	KG	P/box
1/2"	024500000004	15	31	59	17	7	36	M1 (F03)	5,5	38	9	40	0,290	14
3/4"	024500000005	20	37	69	18	8	36	M1 (F03)	5,5	38	9	40	0,429	10
1"	024500000007	25	41	83	22	8	36	M1 (F03)	5,5	38	9	40	0,677	6
1"1/4	024500000008	32	46,5	94	24	8	36	M1 (F03)	5,5	38	9	40	1,011	6
1"1/2	024500000009	40	58	102	24	14,5	50	M4 (F05)	6,5	50	14	40	1,391	4
2"	024500000011	50	65,5	124	28	14,5	50	M4 (F05)	6,5	50	14	40	2,172	4

Technical data



Materials

1	Body	Brass	CW617N	Nickel-plated
2	Body end	Brass	CW617N	Nickel-plated
3	Ball	Brass	CW617N	Chrome-plated
4	Seats	P.T.F.E.		
5	O-Ring	FKM		
6	Stem	Brass	CW614N	

Connections

ISO 228/1, ISO 5211

Limit

-20°C (without liquid) +95°C

Notes

The max. working pressure (PN) means at a room temperature of about 23°C.

Approvals

