



**Rubetterie Italiane Velatta SpA**

———— since 1950 ————

**>> YOU need the BEST**

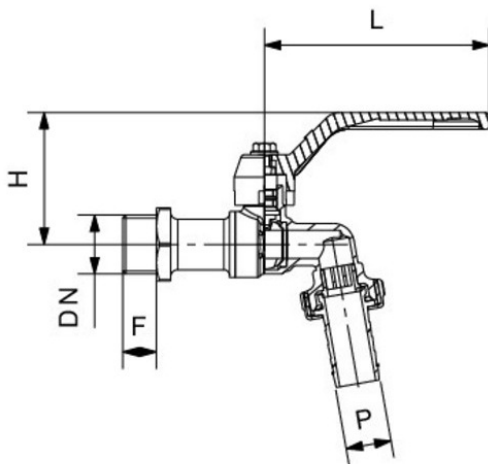
***MAX***  
**Series**



## RIV 5600

Ball bibcock - with hose connection  
 aluminium lever handle

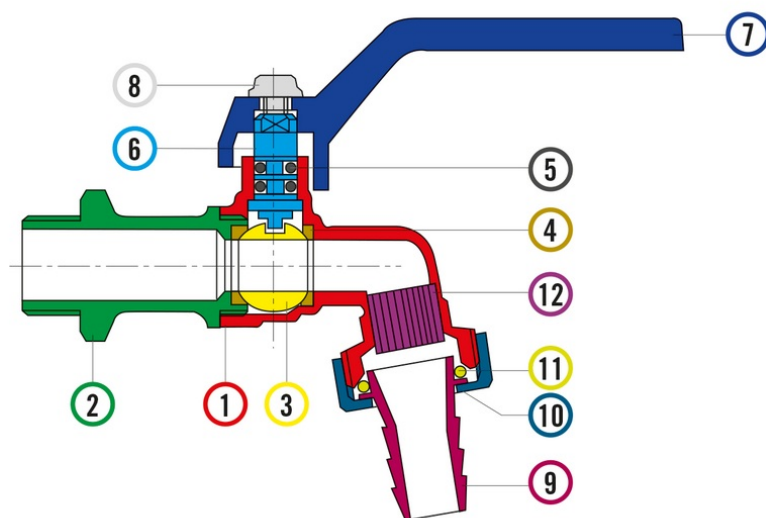
### » Tech drawings and tables



DN	Codice	Ø	H	L	F	P	PN	KG	P/box
3/8"	025600000003	10	47	80	12	15	16	0,184	20
1/2"	025600000004	10	47	80	12	15	16	0,189	20
3/4"	025600000005	12,5	19	80	14	20	16	0,290	10
1"	025600000007	15	54	105	15	26	16	0,438	6

» Technical data

**RIV 5600**



Materials				
1	Body	Brass	CW617N	Nickel-plated
2	Body end	Brass	CW617N	Nickel-plated
3	Ball	Brass	CW617N	Chrome-plated
4	Seats	P.T.F.E.		
5	O-Ring	NBR		
6	Stem	Brass	CW614N	
7	Lever	Aluminium		Green
8	Screw	Steel		Zinc-plated
9	Hose-connection	Brass	CW614N	Nickel-plated
10	Swivel nut	Brass	CW617N	Nickel-plated
11	Gasket	NBR		
12	Jet-breaker	PA		

Connection	ISO 228/1
Limit	-20°C (without liquid) +110°C
Notes	The max.working pressure (PN) means at a room temperature of about 23°C.