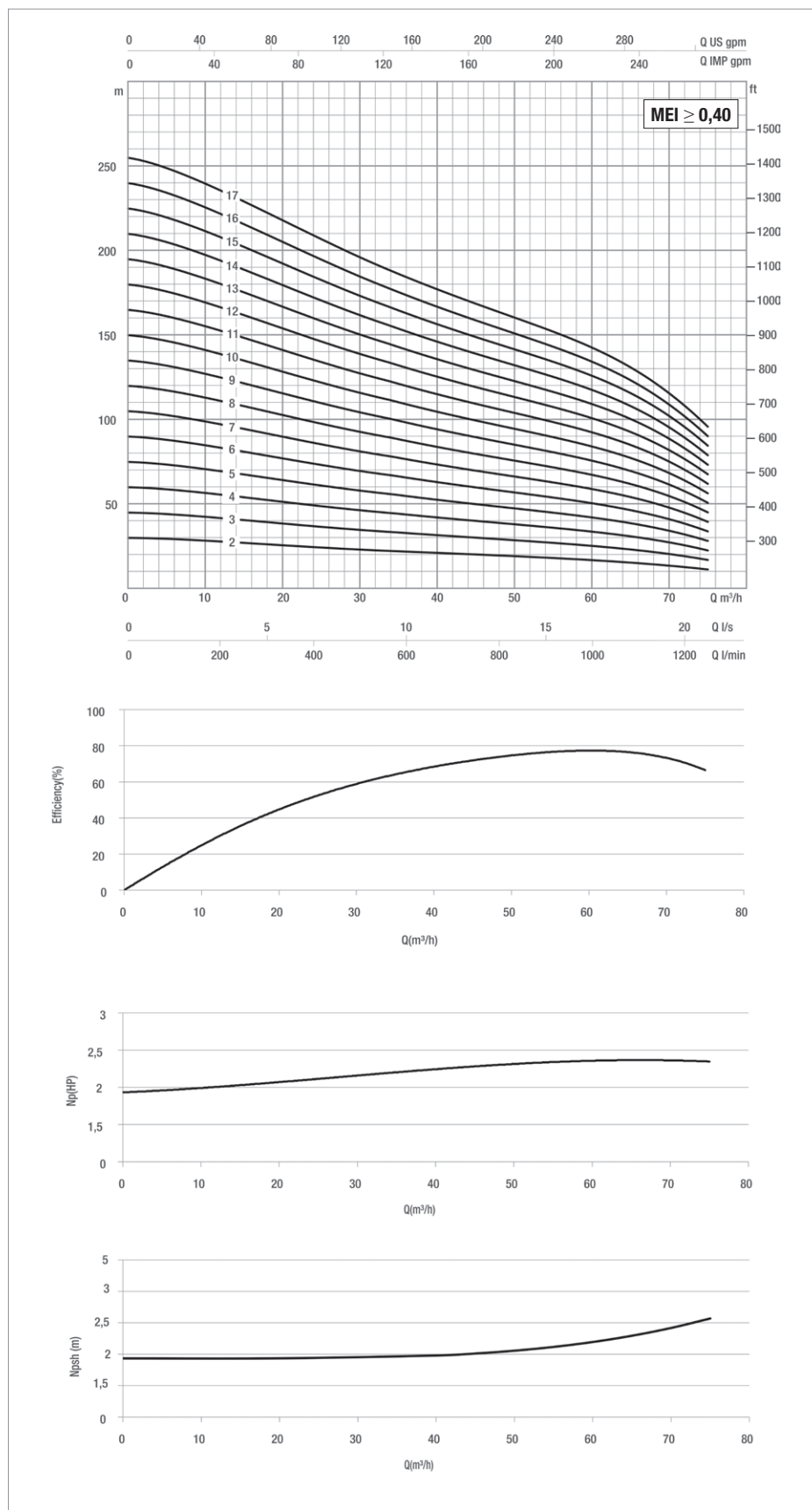
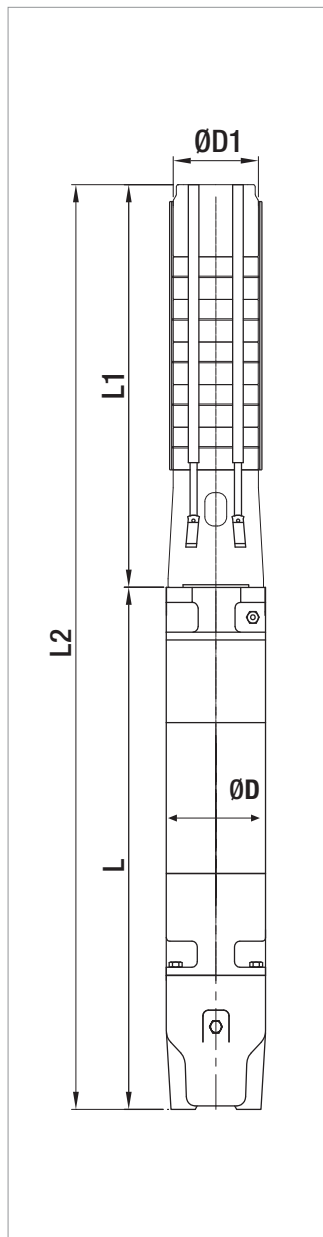


# SS6E

## SUBMERSIBLE ELECTRIC PUMPS 6"

The performance curves are based on the kinematic viscosity values = 1 mm<sup>2</sup>/s and density equal to 1000 Kg/m<sup>3</sup>. Curve tolerance according to ISO 9906.



For hydraulic efficiency see pag. 233