



### Construction

Close-coupled self-priming shallow-well pump with built-in ejector.

### Applications

- For drawing water out of a well.
- For lifting water containing air or other gases.
- For increasing water pressure from flooded suction applications.
- As pressure boosting pump for central water systems with low pressure (follow local specifications if increasing network pressure).
- For garden use.
- For washing with a jet of water.

### Operating conditions

- Liquid temperature: 0 °C to +35 °C.
- Ambient temperature up to +40 °C.
- Suction lift up to 9 m.
- Maximum permissible pressure in the pump casing: 8 bar.
- Continuous duty.

### Motor

- 2-pole induction motor, 50 Hz ( $n \approx 2800$  rpm).
- NGL:** three-phase 230/400 V  $\pm 10\%$ .
- NGLM:** single-phase 230 V  $\pm 10\%$ , with thermal protector. Capacitor inside the terminal box.
- Insulation class F.
- Protection IP 54.
- IE3 efficiency class for three-phase motors (IE2 up to 0,65 kW).**
- Constructed in accordance with: EN 60034-1; EN 60034-30-1. EN 60335-1, EN 60335-2-41.

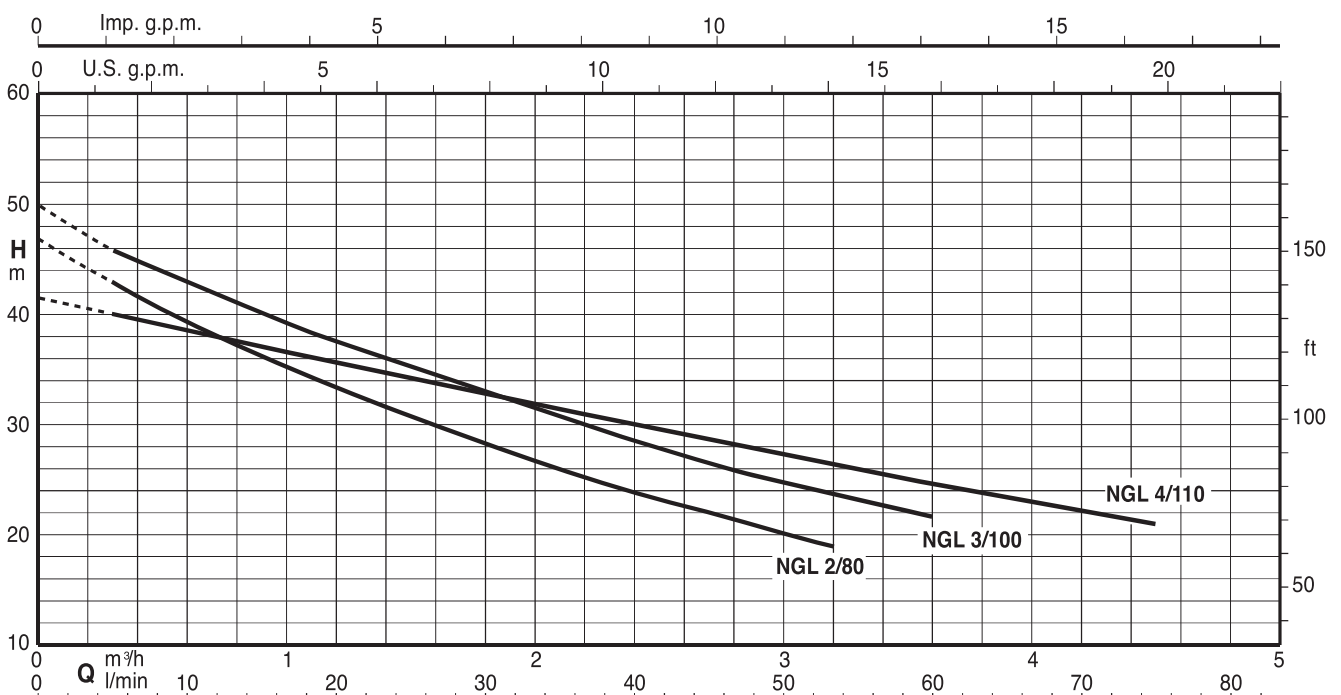
### Materials

Component	Material
Pump casing	Cast iron GJL 200 EN 1561
Casing cover	Cr-Ni steel 1.4301 EN 10088 (AISI 304)
Impeller	PPO-GF20 (Noryl)
Wear ring impeller-diffuser	Cr-Ni steel 1.4301 EN 10088 (AISI 304)
Diffuser	PPO-GF20 (Noryl)
Ejector	PPO-GF20 (Noryl)
Shaft	Chrome steel 1.4104 EN 10088 (AISI 430)
Mechanical seal	Carbon - Ceramic - NBR

### Special features on request

- Other voltages.
- Frequency 60 Hz (as per 60 Hz data sheet).

### Characteristic curves $n \approx 2800$ rpm



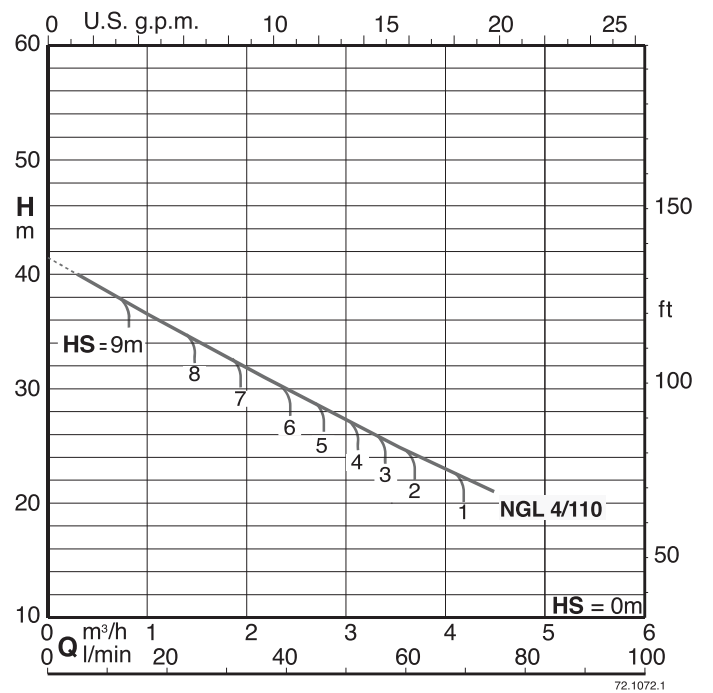
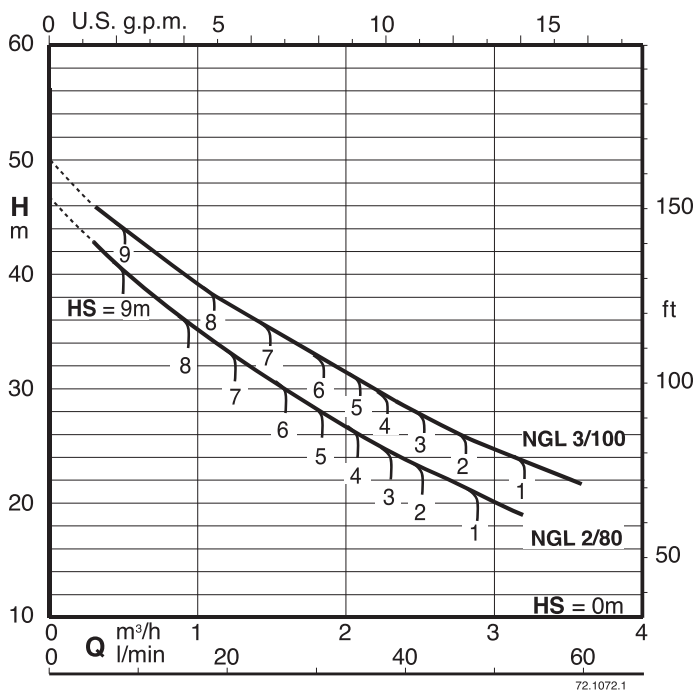
### Performance $n \approx 2800$ rpm

3~	230V 400V		1~	230V		P <sub>2</sub>		Q												
		A		A	A	kW	HP		m <sup>3</sup> /h	l/min	0	0,3	1	2	2,4	3	3,2	3,6	4	4,5
NGL 2/80/A	2,8	1,6	NGLM 2/80/A	4,2	0,9	0,55	0,75	H m	46,8	43	35,2	26,7	23,9	20,2	19,1					
NGL 3/100	3	1,7	NGLM 3/100	4,5	0,95	0,65	0,9		50	45,9	39,4	31,3	28,5	24,8	23,7	21,7				
NGL 4/110	3,7	2,2	NGLM 4/110	5,4	1	0,75	1		41,6	40	36,6	31,9	30	27,3	26,4	24,6	23	21,1		

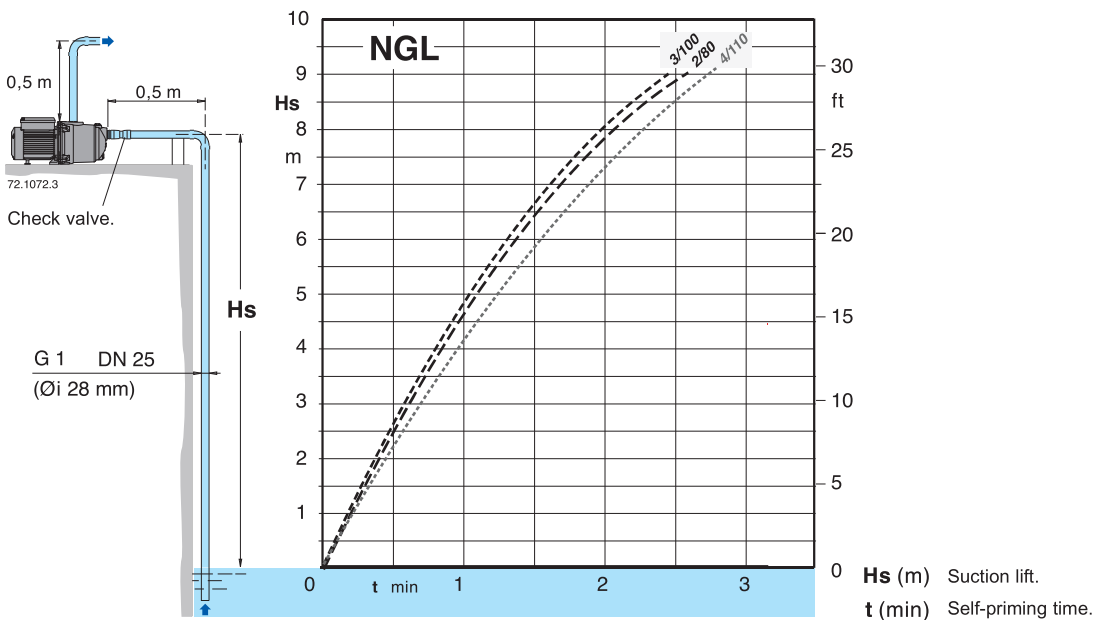
P<sub>1</sub> Max. power input. P<sub>2</sub> Rated motor power output.

Tolerances according to UNI EN ISO 9906:2012

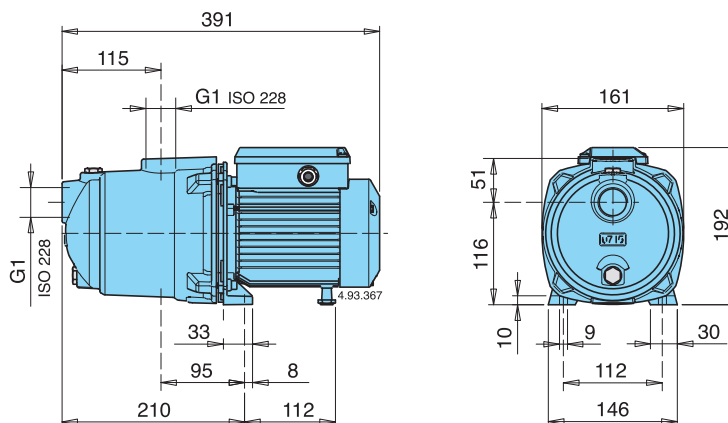
### Characteristic Curves for different suction lifts H<sub>s</sub>



### Self-priming capability



### Dimensions and weights



TYPE	Net weight kg	
	NGL	NGLM
<b>NGL 2/80/A</b>	11,1	12,1
<b>NGL 3/100</b>	11,1	12,1
<b>NGL 4/110</b>	13,1	13,1