



Application

- It is applicable to household water supply, equipment support, pipeline pressurization, garden watering, vegetable greenhouse watering, fish farming and poultry raising, industrial and mining, water supply and drainage of enterprises and high-rise buildings, central air conditioner and centralized heating circulation system, etc.

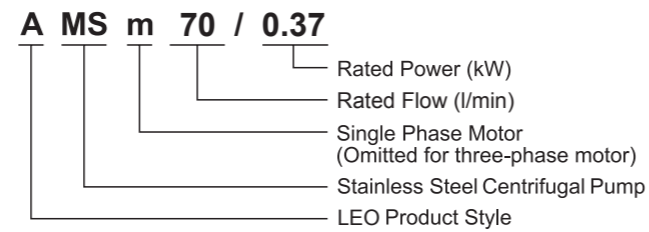
Pump

- AISI 304 pump body
- AISI 304 shaft
- Max. liquid temperature: +85°C
- Altitude: up to 1000 m

Motor

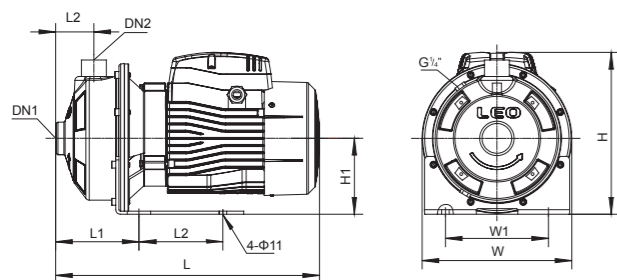
- C&U bearing
- Motor with copper winding
- Built-in thermal protector for single phase motor
- Insulation class: F
- Protection class: IPX4
- Max. temperature: +40°C

Identification Codes



Technical Data

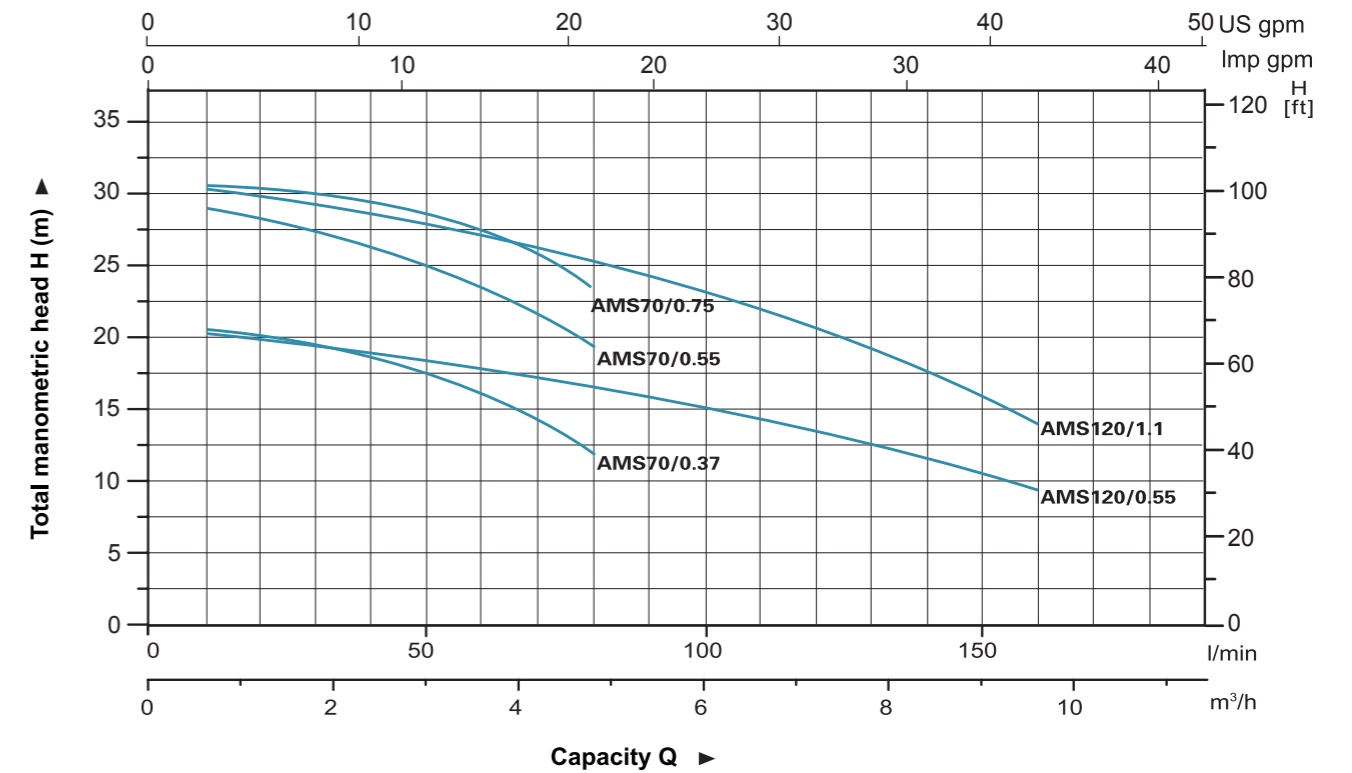
| MODEL | | POWER | | I/min | 0 | 30 | 40 | 60 | 80 | 100 | 120 | 140 | 160 | 180 | |
|--------------|-------------|-------|------|-------------------|------|------|------|------|------|------|------|------|------|------|---|
| Single Phase | Three Phase | kW | HP | m ³ /h | 0 | 1.8 | 2.4 | 3.6 | 4.8 | 6 | 7.2 | 8.4 | 9.6 | 10.8 | |
| AMSm70/0.37 | AMS70/0.37 | 0.37 | 0.5 | H (m) | 20.9 | 19.0 | 18.1 | 15.7 | 12.1 | - | - | - | - | - | |
| AMSm70/0.55 | AMS70/0.55 | 0.55 | 0.75 | | 29.5 | 27.3 | 26.3 | 23.4 | 19.1 | - | - | - | - | - | - |
| AMSm70/0.75 | AMS70/0.75 | 0.75 | 1.0 | | 30.4 | 28.5 | 27.8 | 26.0 | 23.0 | - | - | - | - | - | - |
| AMSm120/0.55 | AMS120/0.55 | 0.55 | 0.75 | | 20.2 | - | - | 17.9 | 16.6 | 15.1 | 13.3 | 11.2 | 8.7 | - | - |
| AMSm120/1.1 | AMS120/1.1 | 1.1 | 1.5 | | 30.2 | - | - | 26.7 | 25.1 | 23.3 | 21.2 | 19.0 | 16.4 | - | - |



Dimension

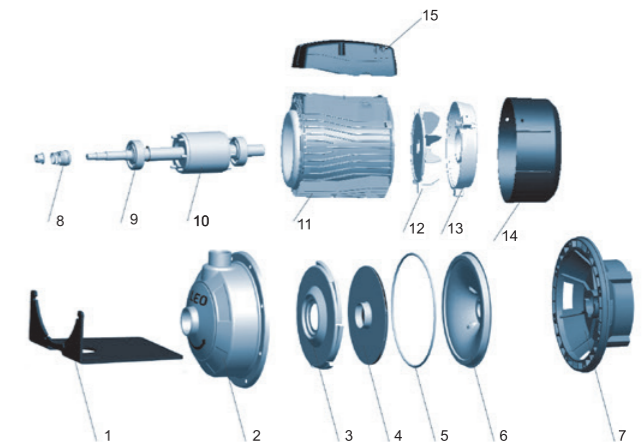
| Model | Ports | | L (mm) | W (mm) | H (mm) | L ₁ (mm) | L ₂ (mm) | W ₁ (mm) | H ₁ (mm) |
|-------------|--------|-----|--------|--------|--------|---------------------|---------------------|---------------------|---------------------|
| | DN1 | DN2 | | | | | | | |
| AMS70/0.37 | 1 1/4" | 1" | 332 | 210 | 224 | 119 | 55 | 149 | 110 |
| AMS70/0.55 | 1 1/4" | 1" | 332 | 210 | 224 | 119 | 55 | 149 | 110 |
| AMS70/0.75 | 1 1/4" | 1" | 381 | 210 | 234 | 119 | 55 | 149 | 110 |
| AMS120/0.55 | 1 1/4" | 1" | 332 | 210 | 224 | 119 | 55 | 149 | 110 |
| AMS120/1.1 | 1 1/4" | 1" | 381 | 210 | 234 | 119 | 55 | 149 | 110 |

Hydraulic Performance Curves



Materials Table

| No. | Part | Material |
|-----|-----------------|----------------|
| 1 | Bottom support | Steel |
| 2 | Pump body | AISI 304 |
| 3 | Diffuser | AISI 304 |
| 4 | Impeller | AISI 304 |
| 5 | O-ring | NBR |
| 6 | Airproof plate | AISI 304 |
| 7 | Support | ZL102 |
| 8 | Mechanical seal | Silicon/carbon |
| 9 | Ball bearing | |
| 10 | Rotor | |
| 11 | Stator | |
| 12 | Fan | PP |
| 13 | Rear housing | ZL102 |
| 14 | Fan cover | PP |
| 15 | Terminal box | ABS |



Package Information

| Model | GW (Kgs) | L (mm) | W (mm) | H (mm) | Quantity (PCS/20 TEU) |
|-------------|----------|--------|--------|--------|-----------------------|
| AMS70/0.37 | 10 | 380 | 240 | 270 | 1200 |
| AMS70/0.55 | 11 | 380 | 240 | 270 | 1200 |
| AMS70/0.75 | 14 | 410 | 240 | 270 | 1104 |
| AMS120/0.55 | 11 | 380 | 240 | 270 | 1200 |
| AMS120/1.1 | 15 | 410 | 240 | 270 | 1104 |

