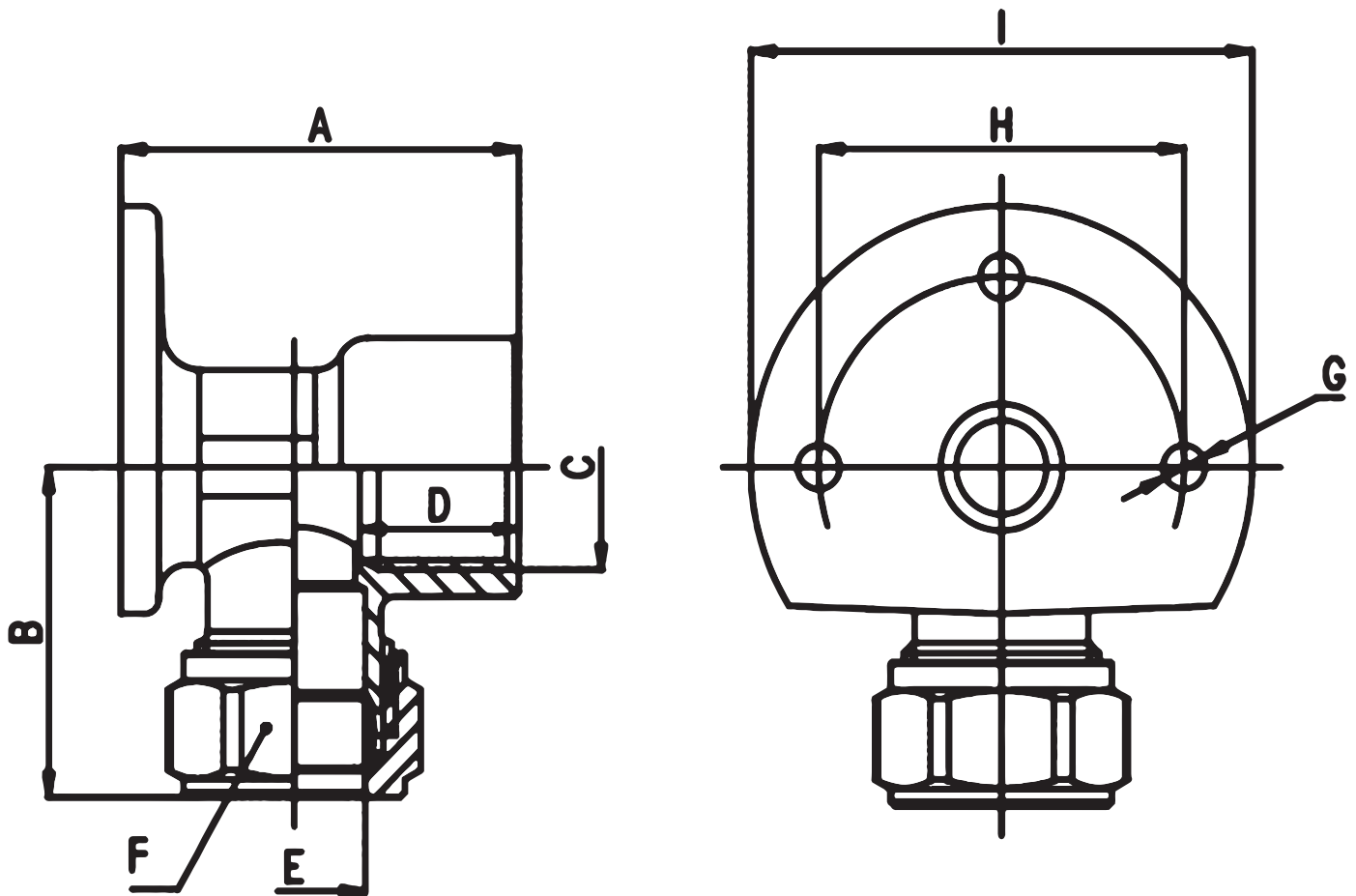


No rights can be derived from these drawings. The sizes may differ in reality.



A	B	C	D	E	F	G	H	I
42,5	35	Rp 1/2" ISO7	17	15	24	4,5	39	53,5