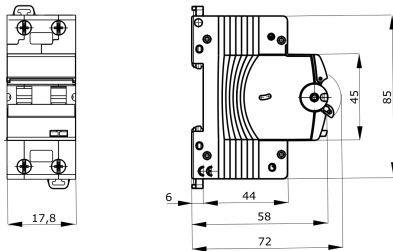




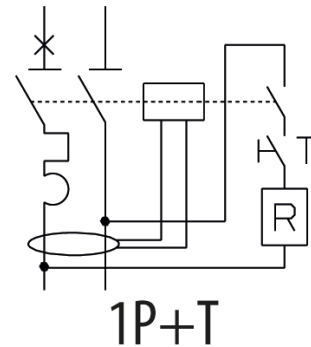
<b>Description</b>	RCCB WITH OVERCURRENT PROTECTION
<b>Code</b>	MDC 60
<b>No. of poles</b>	1P+N
<b>No. modules</b>	2
<b>Rated current</b>	6 A
<b>Sensitivity</b>	30 mA
<b>Type</b>	A
<b>Curve</b>	B
<b>Rated voltage</b>	230 V

<b>Standard</b>	EN 61009-1	<b>Rated frequency (Hz)</b>	50Hz
<b>Breaking capacity EN 61009-1 230V (Icn)</b>	6.000 A	<b>Breaking capacity EN 61009-1 (Ics)</b>	1 x Icn
<b>Breaking capacity EN 60947-2 230V (Icu)</b>	7,5 kA	<b>Breaking capacity EN 60947-2 (Ics)</b>	100% Icu
<b>Insulation voltage</b>	500 V	<b>Level of immunity (8/20 s)</b>	250 A
<b>Electrical endurance</b>	10.000	<b>Mechanical endurance</b>	20.000
<b>Section rigid cable</b>	Max 35 mm <sup>2</sup>	<b>Section flexible cable</b>	Max 35 mm <sup>2</sup>
<b>Rated tightening torque</b>	2 Nm	<b>Operating temperature</b>	-25 +40 °C
<b>Stocking temperature</b>	-40 ÷ +70 °C	<b>Electrocod</b>	1413

### DIMENSIONAL



### SCHEMA ELETTRICO



### STANDARDS/APPROVALS

