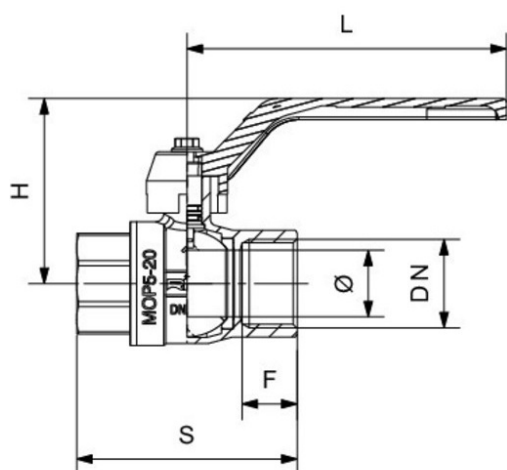




## RIV 4190

Ball valve F/F  
 full bore  
 aluminium lever handle

### » Tech drawings and tables



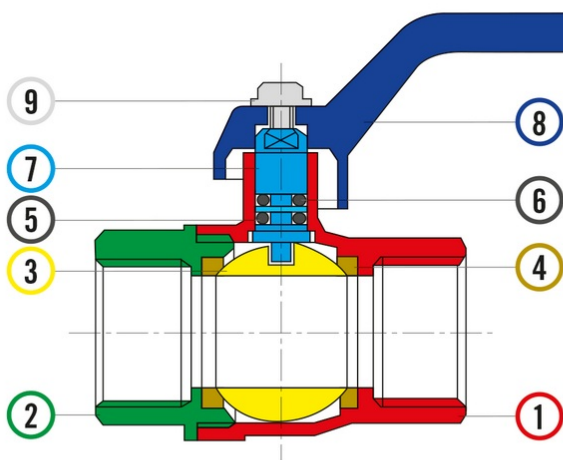
DN	Codice	Ø	H	S	L	F	PN	KG	P/box
1/4"	024190000002	10	48	45	80	12	64	0,118	30
3/8"	024190000003	10	48	45	80	12	64	0,121	30
1/2"	024190000004	15	55	59	90	17	64	0,218	10
3/4"	024190000005	20	66	69	120	18	40	0,356	10
1"	024190000007	25	70	83	120	22	40	0,551	10
1"1/4	024190000008	32	83	94	135	24	40	0,789	6
1"1/2	024190000009	40	93	102	160	24	40	1,132	4
2"	024190000011	50	102	124	160	28	40	1,759	4
2"1/2	024190000013	65	143	148	265	30	40	3,793	1
3"	024190000014	80	153	171	265	33	32	5,457	1
4"	024190000016	100	172	206	265	40	25	7,952	1

»» Approvals



>> Technical data

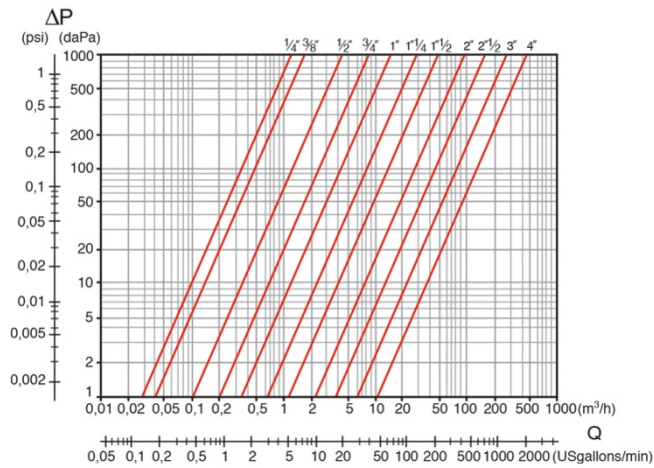
**RIV 4190**



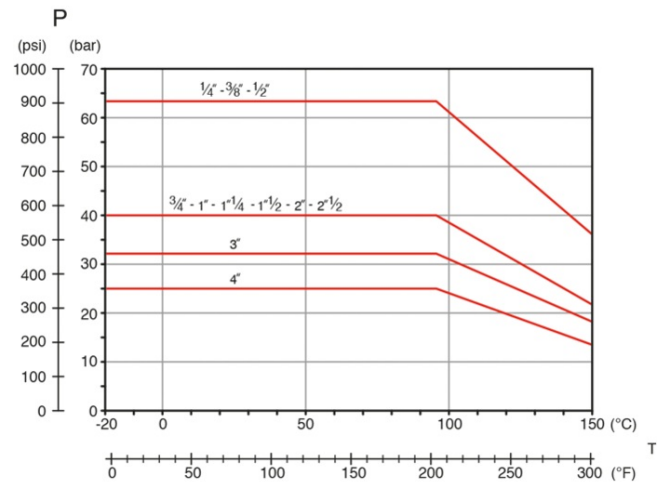
Materials				
1	Body	Brass	CW617N	Nickel-plated
2	Body end	Brass	CW617N	Nickel-plated
3	Ball	Brass	CW617N	Chrome-plated
4	Seats	P.T.F.E.		
5	O-Ring	FKM		
6	O-Ring	NBR		
7	Stem	Brass	CW614N	
8	Lever	Aluminium		
9	Screw	Steel		Zinc-plated

Connection	F: EN 10226 Rp (parallel), EN 10226 Rc (taper) M: EN 10226 R (taper)
Limit	-20°C (without liquid) +150°C
Notes	The max.working pressure (PN) means at a room temperature of about 23°C.

» Pressure Loss Chart



» Temperature/Pressure



» Kv & Cv Coefficients

Dimensione	Kv	Cv
1/4"	4,1	4,7
3/8"	6,3	7,3
1/2"	15,5	17,9
3/4"	31,0	36,0
1"	52,0	60,0
1"1/4	100,0	116,0
1"1/2	180,0	206,0
2"	350,0	405,0
2"1/2	350,0	671,0
3"	1000,0	1157,0
4"	1550,0	1793,0

