



Rubinerterie Italiane Velatta SpA

———— since 1950 ————

>> YOU need the BEST



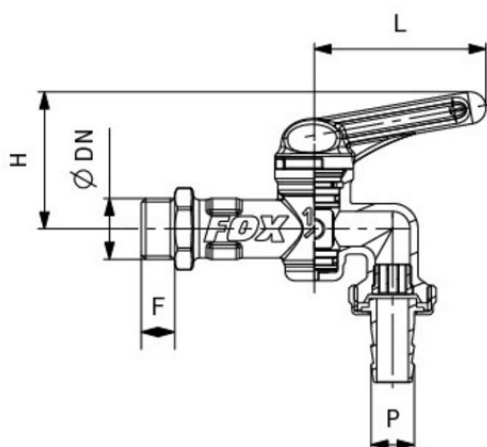
Series



RIV 5611

Antifreeze ball bibcock
 with hose connection
 Techno-polymer lever handle

» Tech drawings and tables



DN	Codice	Ø	F	H	L	P	PN	KG	P/box
1/2"	025611000004	9	12	47	60	15	16	0,247	20

>> Advantages

Fox is an innovative water bibcock with a robust design and a modern, elegant look.

Designed with a new constructive concept to offer a product with superior technical features compared to traditional bibcocks.

The techno-polymer plug with integrated handle allows a smooth control and has a built-in anti-freeze system.

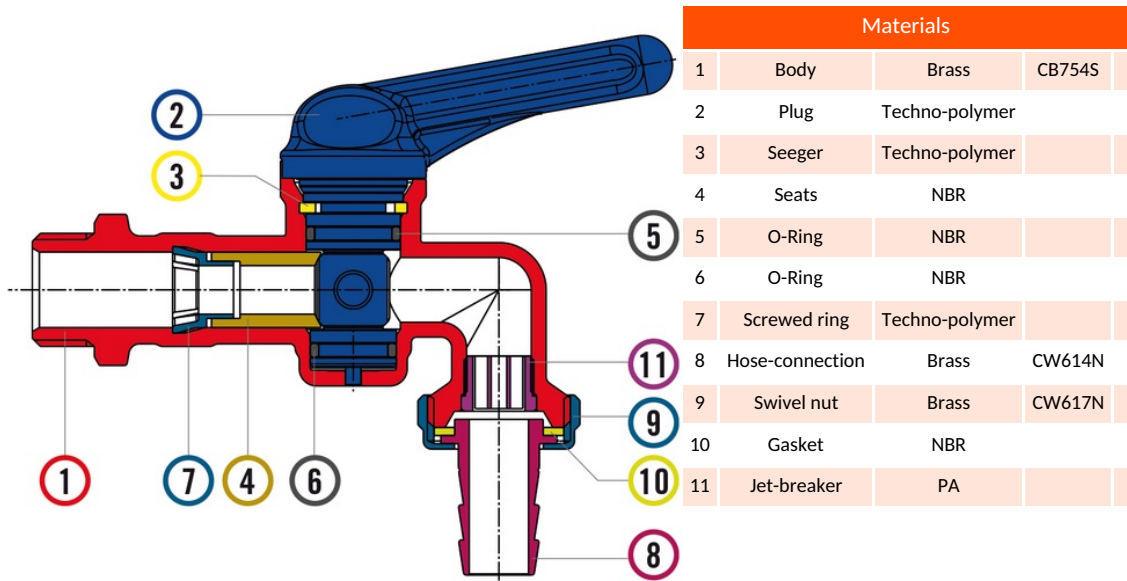
The techno-polymer lever handle ensures a **complete lack of corrosion**.

Besides the traditional installations, Fox is the ideal product in cold zones or in areas with a heavy presence of salty air.



>> Technical data

RIV 5611



Connection	ISO 228/1
Limit	-10°C (14°F) +60°C (140°F)
Notes	The max.working pressure (PN) means at a room temperature of about 23°C.

»» More Products



RIV 5612

Antifreeze ball bibcock
with hose connection
Lockable techno-polymer lever
handle